



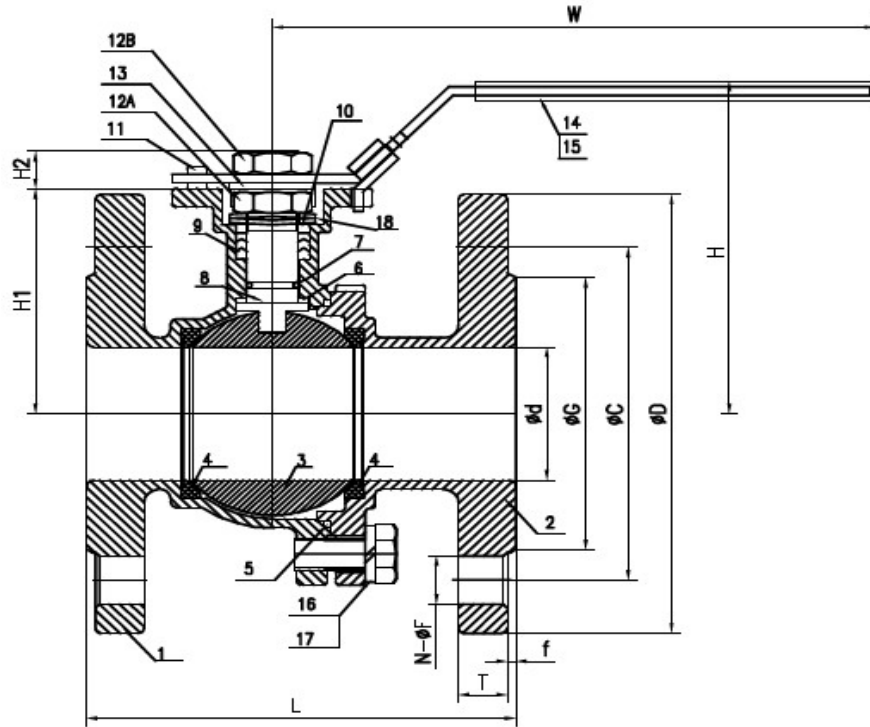
Cangzhou Changyuan Fittings Co.,ltd

Add:No.26 Shigang Road,Development Zone,Cangzhou ,Hebei,China Pc:061000

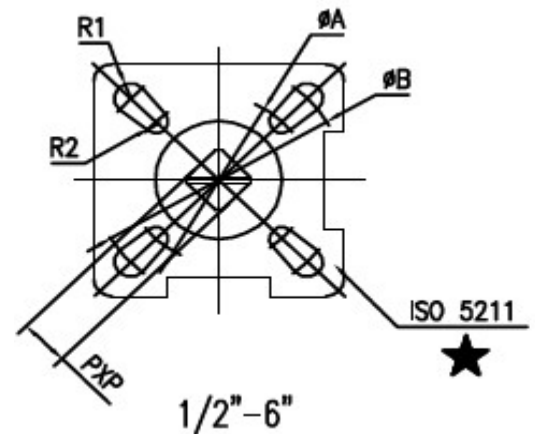
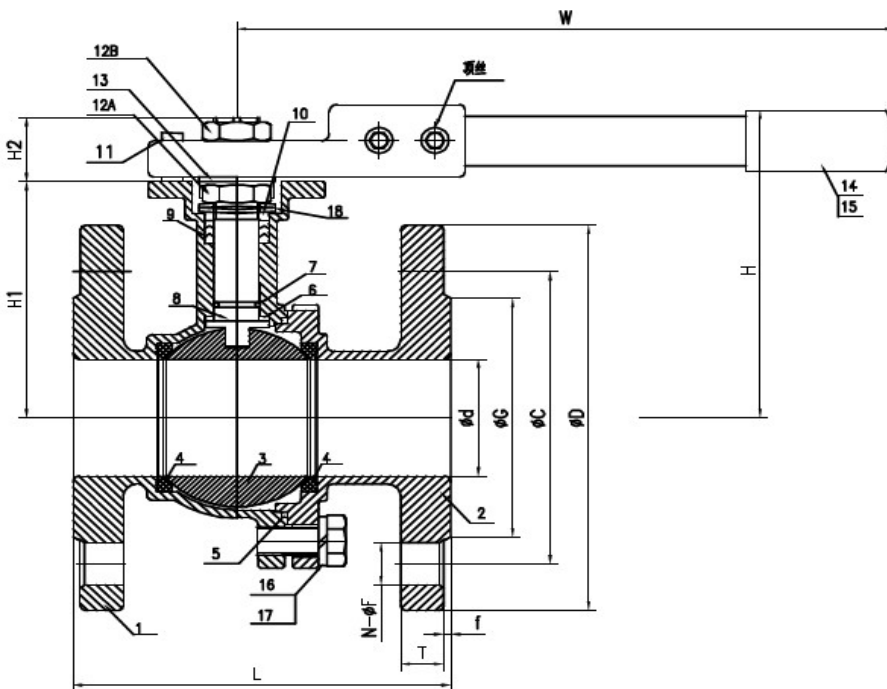
Http://www.con-well.com Email:con-well@vip.163.com sale@con-well.com

2PC FLANGED BALL VALVES , DIRECT MOUNTING PAD, CLASS 150LB

1/2"-4"



5"-6"





Cangzhou Changyuan Fittings Co.,Ltd

Add:No.26 Shigang Road,Development Zone,Cangzhou ,Hebei,China Pc:061000

Http://www.con-well.com Email:con-well@vip.163.com sale@con-well.com

2PC FLANGED BALL VALVES , DIRECT MOUNTING PAD, CLASS 150LB, Dimension list

ITEM	DESCRIPTION	MATERIAL
1	BODY	CF8/CF8M
2	CAP	CF8/CF8M
3	BALL	CF8/CF8M
4	BALL SEAT	RPTFE
5	JOINT GASKET	PTFE
6	THRUST WASHER	PTFE
7	O-Ring	NBR
8	STEM	304
9	STEM PACKING	PTFE
10	FLAT PAD	304
11	STOP BOLT	304
12AB	NUT	304
13	WASHER	304
14	HANDLE	304/201
15	PLASTIC COVER	PLASTIC
16	BOLT	304
17	BOLT WASHER	304
18	BELLEVILLE WASHER	304



2017-6-9

Size	1/2"	3/4"	1"	1 1/4"	1 1/2"	2"	2 1/2"	3"	4"	5"	6"
Φd	15	20	25	32	38	50	65	76	94	120	150
ΦD	90	100	110	115	125	150	180	190	230	255	280
ΦC	60.3	69.9	79.4	88.9	98.4	120.7	139.7	152.4	190.5	216	241.3
ΦG	35	43	51	63.5	73	92	105	127	157	186	216
N-ΦF	4-Φ16	4-Φ16	4-Φ16	4-Φ16	4-Φ16	4-Φ19	4-Φ19	4-Φ19	8-Φ19	8-Φ22.4	8-Φ22.4
T	8	8.9	9.6	11.2	12.7	14.3	15.9	17.5	22.3	22.3	23.9
f	2	2	2	2	2	2	2	2	2	2	2
H1	50.6	55	59.5	72	78	86	100	111.5	140.8	161.5	184
H2	9	9	11	11	14	14	17	17	22	27	27
ΦA	36	36	42	42	50	50	70	70	70	102	102
ΦB	42	42	50	50	70	70	102	102	102	125	125
R1	3	3	3.5	3.5	4.5	4.5	5.5	5.5	5.5	5.5	5.5
R2	3	3	3	3	3.5	3.5	4.5	4.5	4.5	6.5	6.5
PXP	9	9	11	11	14	14	17	17	22	27	27
H	80	85	95	108	114	124	148	158	189	242	270
W	140	140	160	160	185	185	230	230	320	500	535
L	108	117	127	140	165	178	190	203	229	356	394